

AC Back-up Power Systems

Inverter program

UPS program

Diesel Engine Alternator Sets

Photovoltaic Generators

Customer Requirements, UPS

- Capacities 1 - 100 kVA
- Modularity
- Telecom reliability
- WW voltages and frequencies
- Flexibility in battery autonomy
- Battery control and monitoring
- Various optional functions
- Supervision

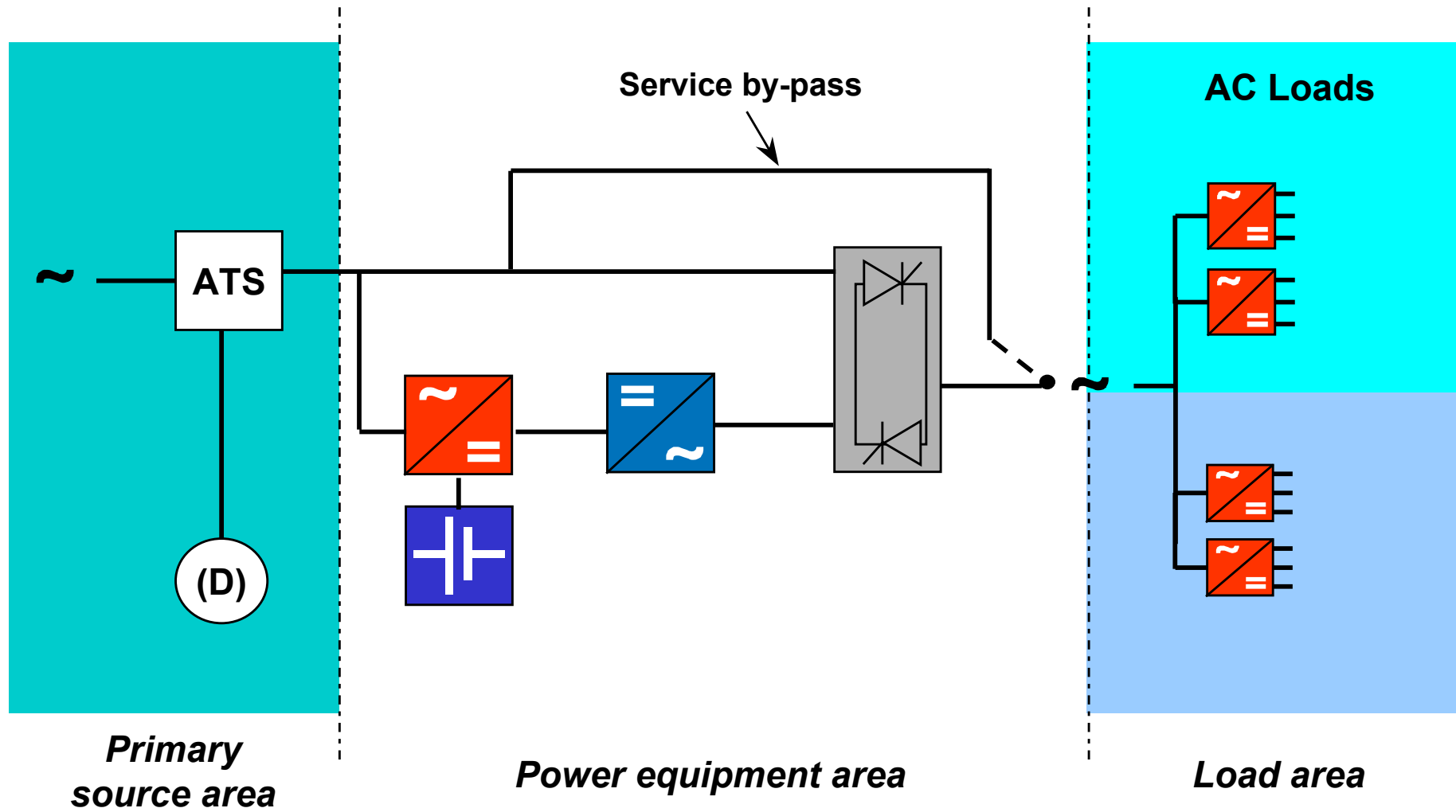
Detailed Customer Requirements, UPS

- 1 and 3 phase
- Selectable voltages
- Large input window
- Long autonomy
- Quick recharge
- Battery testing
- 10 and 5 y. battery
- Ericsson manual std.
- Remote monitoring
- Galvanic isolation
- THD filter
- Prim/Second AC distr.
- Modularity/Scalability
- 3 year warranty

UPS Program, for short term AC Back-up

- Computer Reliability
- Flexibility in battery autonomy
- Various options, HW and SW
- Field adjustable AC voltages and frequency
- Single- and three-phase versions
- From 1 kVA to 160 kVA

UPS system



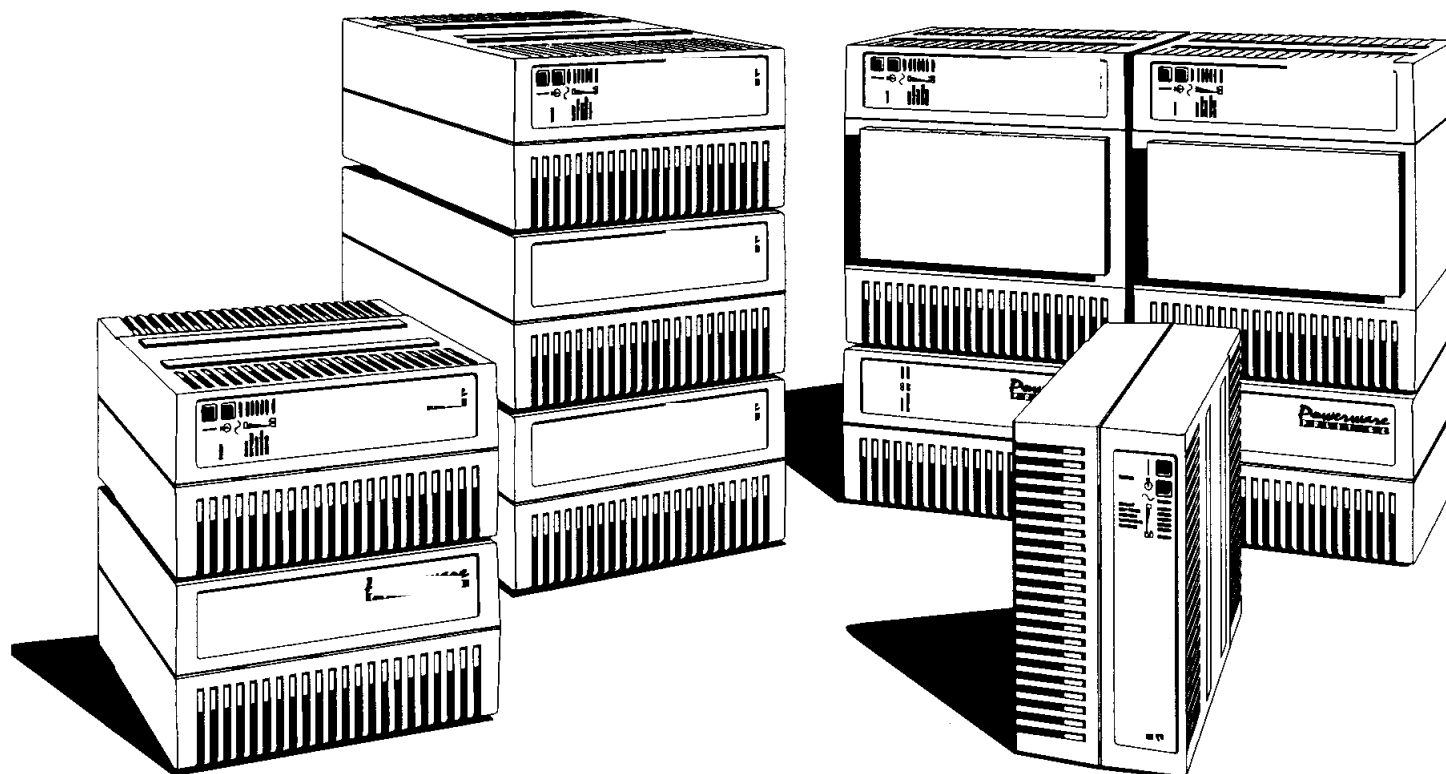
UPS Characteristics and options

Rating kVA	Single phase	Three phase	50/60 Hz	Galvanic isolation	Extended run times
1 - 6	X		X	X	X
8 - 15	X	Three phase in	X	X	X
7.5 - 45		X	X	X	X
40 - 150		X	X	X	

UPS 1, 3 and 6 kVA, BMS 20302+ Single phase in and out

3 kVA + batt

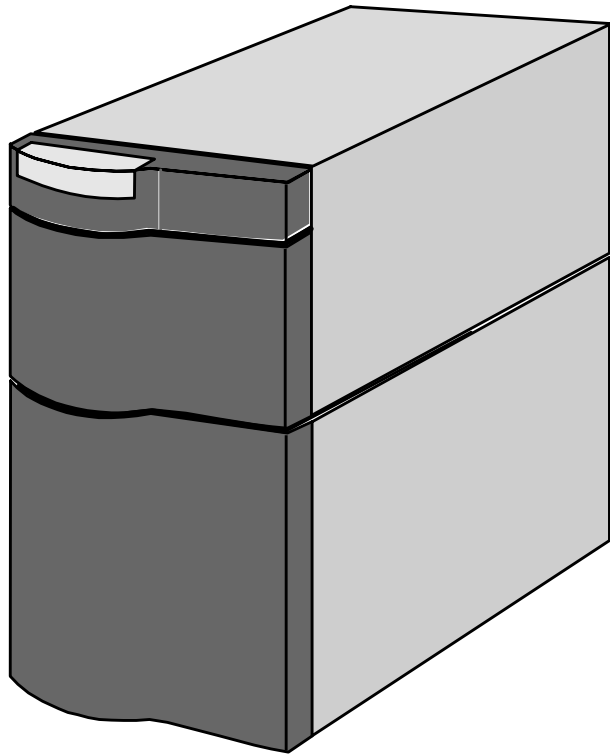
6 kVA+ batt



1 kVA + batt

1 kVA, int batt

UPS 8 - 15 kVA, BMS 20303+



- Power range 8, 10, 12, and 15 kVA
- Single phase output
- Three and single phase inputs
- Static and manual by-pass switches as standard
- 208/115 V version available

UPS BMS 20303, upgrading

Upgrading with “Magic Number”

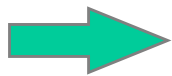
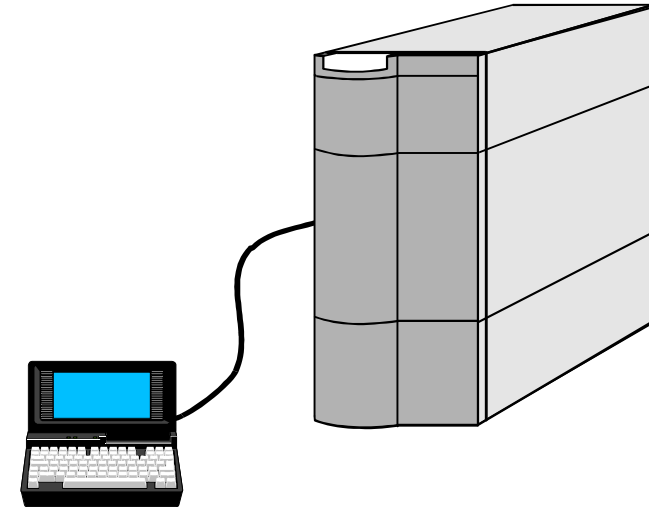
8 to 10 kVA

8 to 12 kVA

10 to 12 kVA

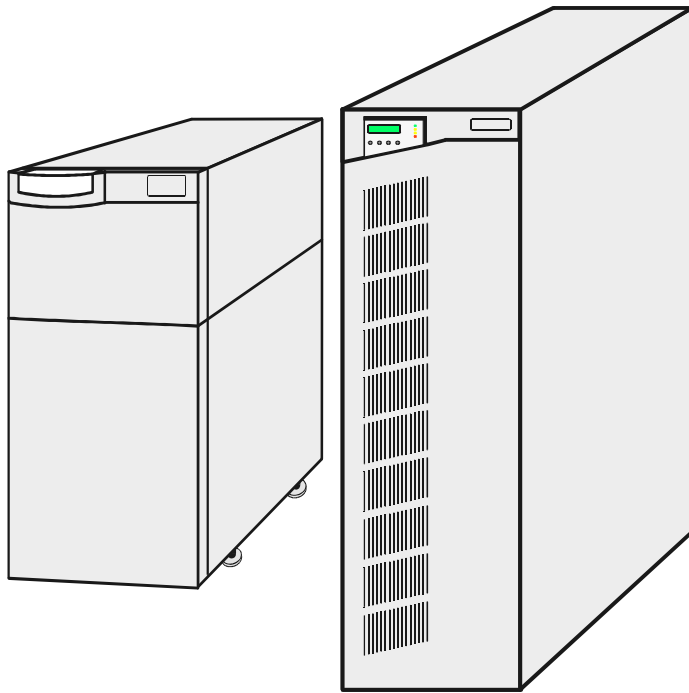
Upgrading with “Magic Number”
and changing power components

8 to 15 kVA



**no need to oversizing UPS, savings
in distribution breaker rating**

UPS 7.5 - 45 kVA, BMS 203 04

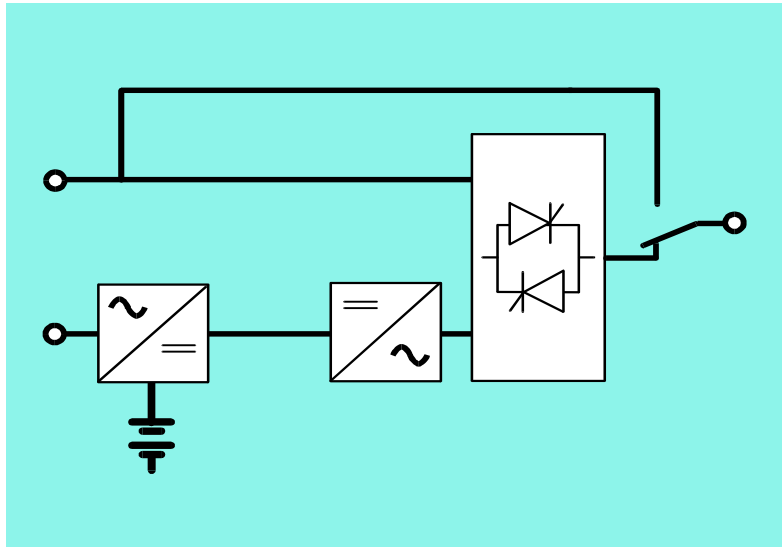


7.5-15

25- 45 kVA

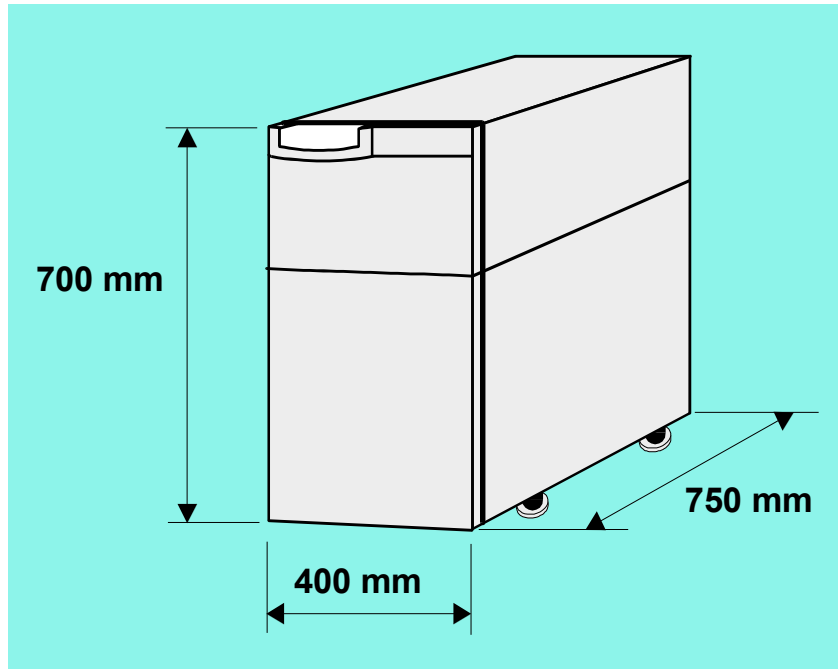
- Power range 7.5, 10, 15, 25, 30 and 45 kVA
- Three phase input and output
- 400/230 VAC (adjustable - 20/+15 VAC) 50 and 60 Hz
- Extended runtime option
- Static and manual bypass switches as standard

Typical Characteristics, BMS 20304



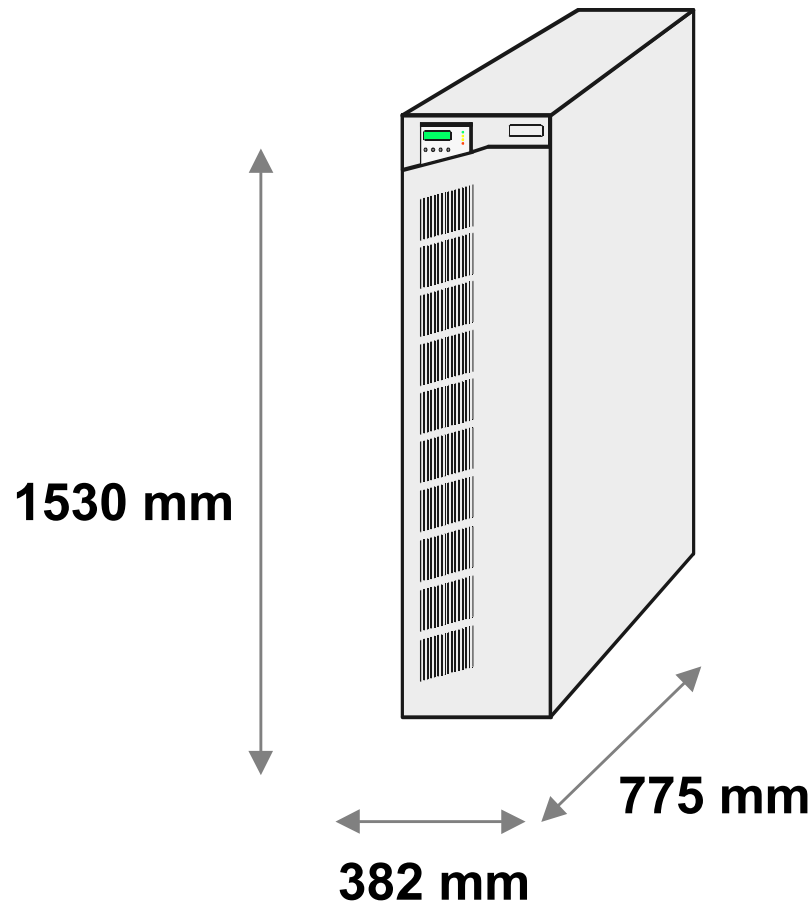
- Wide input voltage range
 - 294 - 484 V with full load
- Online efficiency 94%
- Input power factor 0.96
 - additional filter option available
- Audible noise <55 dB(A)
- LCD display

UPS BMS 20304, 7.5 - 15 kVA



- Small size and foot print
 - 0,3 m² foot print
- Top access to all components
- Internal batteries available
- Light weight
 - 95 kg without batteries
 - 215 kg (w 48 batteries)

UPS BMS 20304, 25 - 45 kVA



- Small size and foot print
- LCD display as standard
- Allows side to side installation
- Front access to all components
- Battery cabinets as 'side car' or separate cabinets
- Light weight
 - 215 kg w/o batteries

UPS 40- 160 kVA, BMS 20305



- Power range 40, 65, 80, 100 and 160 kVA
- Three phase inputs and outputs
- Static and manual by-pass switches as standard
- 400 and 200 V versions

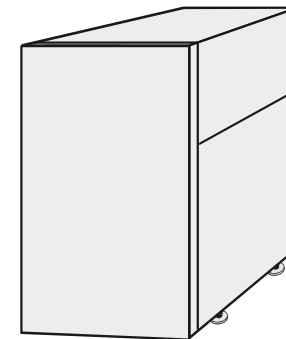
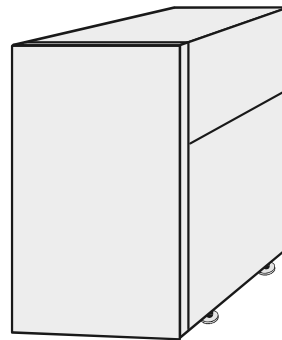
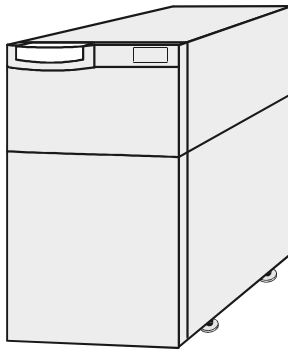
Battery Configurations, 1, 3 and 6 kVA BMS 20302



	1 kVA	3 kVA	6 kVA
Internal	10 min	6.5 min	7 min
BKB 102007	40 min	N/A	N/A
BKB 102008	55 min	18 min	N/A
BKB 102009	N/A	32 min	14 min

Battery Configurations

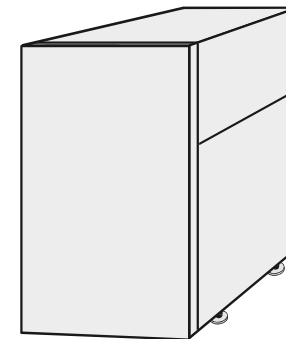
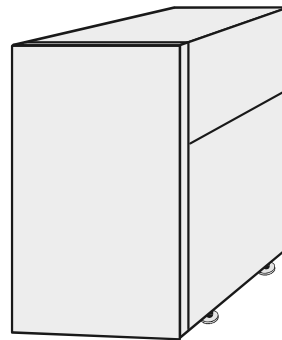
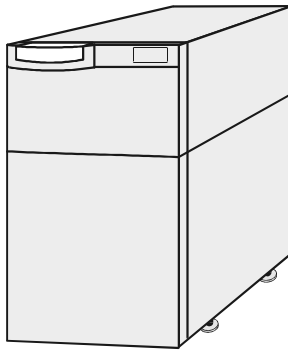
8-15 kVA, BMS 203 03



		8 kVA	10 kVA	15 kVA
Internal	7 Ah	17 min	13 min	7 min
BKB 104001/1	7 Ah	40 min	30 min	18 min
BKB 104001/2	14 Ah	70 min	50 min	30 min
2 x BKB 104001/2	28 Ah	2h, 15m	1h, 40m	1h

Battery Configurations

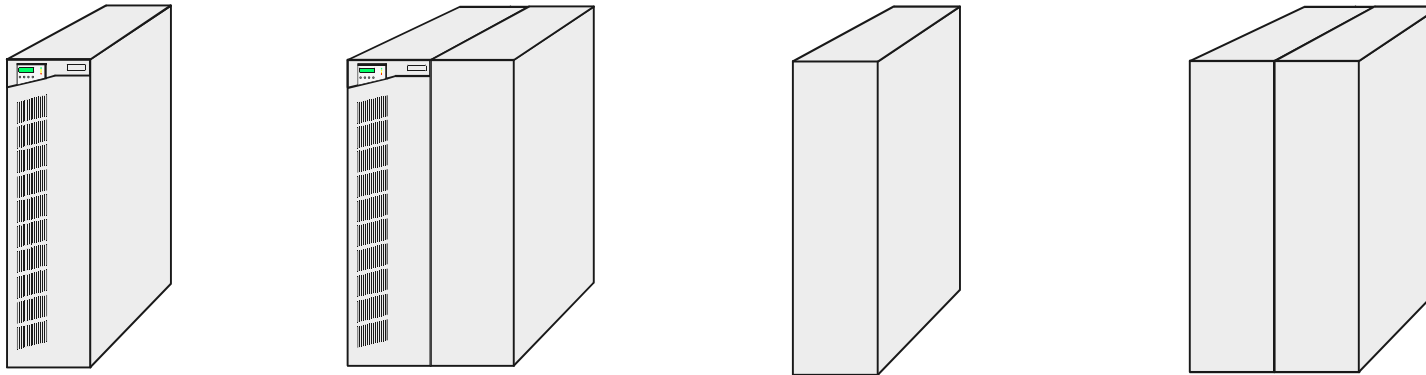
7.5-15 kVA, BMS 20304



		7,5 kVA	10 kVA	15 kVA
Internal	7 Ah	18 min	13 min	7 min
BKB 104001/1	7 Ah	44 min	30 min	18 min
BKB 104001/2	14 Ah	75 min	50 min	30 min
2 x BKB 104001/2	28 Ah	2h, 22m	1h, 40m	1h

Battery Configurations

25 - 45 kVA BMS 20304



		25 kVA	30 kVA	45 kVA
BKB 104001/3	24 Ah	20 min	15 min	9 min
BKB 104001/4	38 Ah	35 min	22 min	16 min
2 BKB 104001/4	2x38Ah	1h 25m	1h 5m	40 min
BKB 104001/5	65 Ah	1h 10m	55 min	35 min
2 BKB 104001/5	2x65Ah	2h 45m	2h 15m	1h 20m